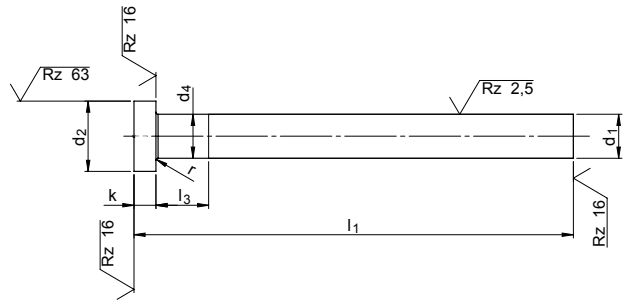


# SM 1011-1

DIN 1530 Teil 1, Form AH / ähnlich DIN ISO 6751

# Auswerferstift AH

Ejector pin with parallel head, stainless steel



Catalog No.	d <sub>1</sub>	X	l <sub>1</sub>
SM 1011-1	02.00	X	100



Edelstahl rostfrei 1.4112, säurebeständig  
stainless steel 1.4112, acid-resistant



Schaft / shaft: HRc 56 +2  
Kopf / head: HRc 45 ±5



mm



andere Abmessungen  
other dimensions



RoHS  
Konform  
Compliant

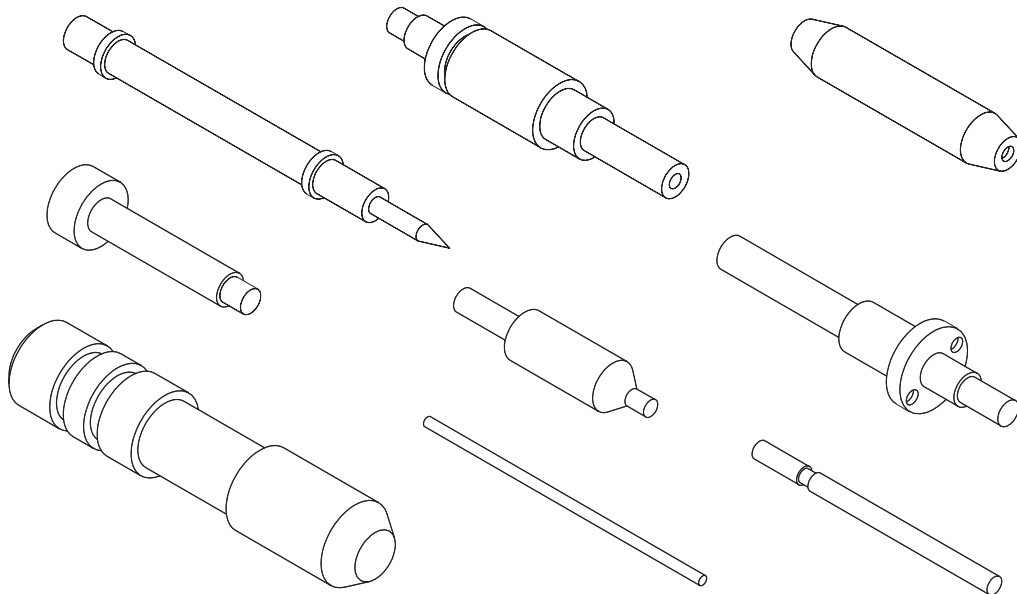
d <sub>1</sub> Ø g6	l <sub>1</sub> +2 0						d <sub>2</sub> Ø 0 -0,2	d <sub>4</sub> Ø	k 0 -0,05	l <sub>3</sub>	r + 0,2 0
01,00	100	125	-	-	-	-	2,5		1,2	5	0,2
01,50	-	-	-	-	250	-	3,0		1,5	5	
02,00	100	125	160	200	-	-	4,0		2,0	5	
02,50	100	125	160	200	250	-	5,0		2,0	5	0,3
02,70	-	-	-	200	-	-	5,0		2,0	5	
03,00	100	125	160	200	250	315	6,0		2,0	5	
03,50	100	125	160	200	250	-	7,0	d <sub>1</sub>	2,0	5	
04,00	100	125	160	200	250	315	8,0	+0,03	2,0	5	
04,50	100	125	160	200	250	-	8,0		2,0	5	
05,00	100	125	160	200	250	315	10,0		2,0	5	
05,50	100	125	160	200	250	-	10,0		2,0	5	
06,00	100	125	160	200	250	315	12,0		5,0	6	0,5
06,50	-	-	-	-	250	-	12,0		5,0	6	
07,00	-	-	-	-	250	-	12,0		5,0	8	
08,00	100	125	160	200	250	315	14,0		5,0	8	
10,00	100	125	160	200	250	-	16,0	d <sub>1</sub>	5,0	10	
12,00	100	125	160	200	250	-	18,0	+0,04	7,0	12	0,8

## SM Sonderfertigung

Zylinderstifte DIN 6325, Bolzen, Wellen,  
Achsen, Rollen, Nadeln und Säulen.

## SM Alteration Service

Parallel pins DIN 6325, bolts, spindels,  
shafts, rolls, pins and posts.



Nach Ihren Zeichnungen und Mustern. Aus allen Werkstoffen, z. B. Werkzeugstahl, Automatenstahl, HSS, Hartmetall, Edelstahl rostfrei, Kunststoff, Messing oder Aluminium.  
From Your drawings and models. From many materials, for example steel, HSS, stainless steel, hard metals, plastics, brass or aluminium.

