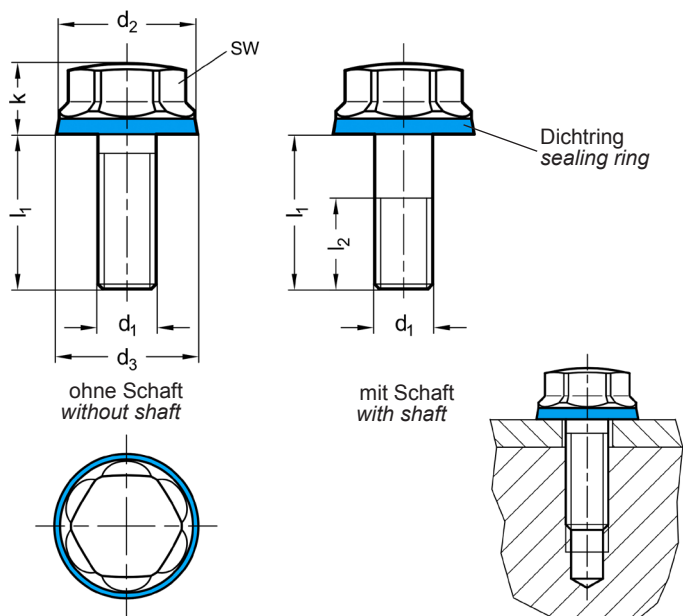


SM 1265-12 — Schraube niedriger Kopf, Edelstahl rostfrei, HYGIENIC DESIGN

Screw, stainless steel, low-profile head



Catalog No. | **d₁** | **X** | **l₁** | **Surface**
SM 1265-12 M06 X 12 MT



Edelstahl rostfrei 1.4404 (A4)
 Dichtring:
 Hydrierter Acrylnitril-Butadien-
 Kautschuk (H-NBR)
 temperaturbeständig -25 °C bis +150 °C
 Härte 85 ±5 Shore A
 FDA-konform

stainless steel 1.4404 (A4) AISI 316 L
sealing ring:
hydrogenated acrylonitrile butadiene
rubber (H-NBR) temperature resistant
-25 °C to +150 °C
Hardness 85±5 Shore A
FDA compliant



PL: poliert / polished (Ra < 0,8 µm)
MT: mattiert / matte (Ra < 0,8 µm)



- Dichtring: EPDM
 temperaturbeständig -40 °C bis +120 °C
 - sealing ring: EPDM
 temperature resistant -40 °C to +120 °C



Passende Ersatzdichtringe sind /
 Suitable replacement sealing rings are:
 SM 1291-15 11X07,
 SM 1291-15 13X09,
 SM 1291-15 16X12,
 SM 1291-15 19X15,
 SM 1291-15 22X18 und / and
 SM 1291-15 28X24.



Hygienic Design
 Diese Muttern aus rostfreiem Edelstahl sind
 nach den Richtlinien der EHEDG zertifiziert
 und für den Einsatz in Hygienebereichen
 vorgesehen. Die dichtende Flanschfläche
 ermöglicht eine tottraumfreie Befestigung.
 Die hohe Oberflächengüte und große Eck-
 radien verhindern das Anhaften von
 Schmutz und erleichtern die Reinigung.

Hygienic Design

*These nuts from stainless steel are certified
 according to EHEDG guidelines and desi-
 gned for use in hygienic areas. The sealed
 mounting surface enables mounting without
 dead spaces. The high quality finish as well
 as the large corner radii prevent adherence
 of dirt and facilitate cleaning.*



mm



| d ₁ Ø | l ₁ | | d ₂ Ø | d ₃ Ø | k | l ₂ | sw | kg kg |
|---------------------|------------------------------|--------------------------|---------------------|---------------------|------|----------------|----|----------|
| | ohne Schaft without shaft | mit Schaft with shaft | | | | | | |
| M04 | 08 | - | 10 | 10,8 | 6,5 | 14 | 7 | 0,006 |
| | 10 | - | | | | | | 0,006 |
| | 12 | - | | | | | | 0,007 |
| | - | 16 | | | | | | 0,007 |
| | - | 20 | | | | | | 0,008 |
| | - | 25 | | | | | | 0,009 |
| M05 | 10 | - | 11 | 11,8 | 7 | 16 | 8 | 0,006 |
| | 16 | - | | | | | | 0,007 |
| | - | 20 | | | | | | 0,008 |
| | - | 25 | | | | | | 0,008 |
| | - | 30 | | | | | | 0,009 |
| | - | 35 | | | | | | 0,009 |
| M06 | 12 | - | 13 | 13,8 | 7,5 | 18 | 10 | 0,008 |
| | 16 | - | | | | | | 0,009 |
| | 20 | - | | | | | | 0,010 |
| | - | 30 | | | | | | 0,011 |
| | - | 35 | | | | | | 0,012 |
| | - | 40 | | | | | | 0,013 |
| M08 | 16 | - | 16 | 16,8 | 8,5 | 22 | 13 | 0,016 |
| | 20 | - | | | | | | 0,017 |
| | 25 | - | | | | | | 0,019 |
| | 30 | - | | | | | | 0,021 |
| | - | 40 | | | | | | 0,025 |
| | - | 50 | | | | | | 0,029 |
| M10 | 20 | - | 19 | 19,8 | 9,5 | 26 | 16 | 0,028 |
| | 25 | - | | | | | | 0,031 |
| | 30 | - | | | | | | 0,034 |
| | - | 40 | | | | | | 0,040 |
| | - | 50 | | | | | | 0,046 |
| | - | 60 | | | | | | 0,052 |
| M12 | 25 | - | 22 | 22,8 | 11 | 30 | 18 | 0,046 |
| | 30 | - | | | | | | 0,050 |
| | - | 40 | | | | | | 0,059 |
| | - | 50 | | | | | | 0,068 |
| | - | 60 | | | | | | 0,076 |
| | M16 | 30 | | | | | | - |
| 40 | | - | 0,106 | | | | | |
| - | | 50 | 0,122 | | | | | |
| - | | 60 | 0,137 | | | | | |
| - | | 70 | 0,153 | | | | | |
| M20 | | 40 | - | 34 | 34,8 | 15 | 46 | 27 |
| | - | 60 | 0,221 | | | | | |

