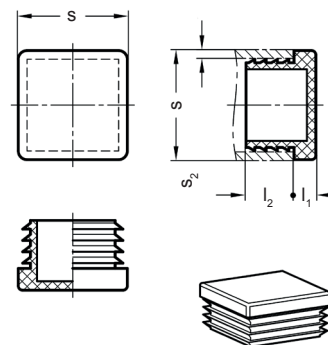


Form A



Form B

	Catalog No.	Form	d / s	Colour
	SM 1789	B	V22	GR

Kunststoff
Thermoplast (Polyethylen PE)
Plastic
Technopolymer (Polyethylen PE)

Form A: rund
Form B: quadratisch
Endstopfen SM 1789 sind ausgelegt zum Verschließen von Rohrenden, wenn Sicherheitsgründe oder optische Aspekte dies erfordern. Sie werden von Hand oder mit einem Schonhammer in die Rohre eingedrückt.

Form A: round
Form B: square

Tube end plugs SM 1789 have been designed for sealing tube ends for safety or optical reasons. They are pressed into the tube end either by hand or with a mallet.

SW = schwarz, RAL 9005, matt / black, matte finish ●
GR = grau, RAL 7042, matt / gray, matt finish ●

andere Größen / other sizes
WS = weiß, RAL 9003, matt / white, matte finish

mm



Form A: rund / round

d	w	l ₁	l ₂	für Rohr / for tube	kg
D10	1 ...2	3,5	11,0	SM 1780 SM 1782	0,001
D12	1 ...2	3,5		SM 1780 SM 1782	0,001
D13	1 ...2	4,0		1/4"	0,001
D14	1 ...2	5,0	11,5	SM 1780 SM 1782	0,001
D15	1 ...2	3,0		SM 1780 SM 1782	0,001
D16	1 ...2	5,0	11,0	SM 1780 SM 1782	0,001
D18	1 ...2		11,5	SM 1780 SM 1782	0,001
D20	1 ...2,5			SM 1780 SM 1782	0,002
D22	1 ...2			-	0,002
D25	1 ...3			SM 1780 SM 1782	0,003
D26	1 ...3			-	0,003
D27	1 ...3			3/4"	0,003
D28	1 ...3			-	0,003
D30	1 ...2,5			SM 1780 SM 1782	0,004
D32	1 ...3		12,0	SM 1780 SM 1782	0,004
D34	1 ...3		11,5	1"	0,004
D35	1 ...3			SM 1780 SM 1782	0,005
D36	1 ...3			-	0,005
D38	1 ...3,5			-	0,006
D40	1 ...3			SM 1780 SM 1782	0,006
D42	1 ...3			SM 1780 SM 1782	0,006
D45	1 ...3		11,0	SM 1780 SM 1782	0,007
D48	1,2 ...3,6		11,5	SM 1780 SM 1782	0,008
D50	2,5 ...4,5			SM 1780 SM 1782	0,008
D55	3 ...5		14,5	SM 1780 SM 1782	0,010
D60	3 ...5		17,5	SM 1780 SM 1782	0,015
D70	1,5 ...3,5		21,0	-	0,020
D76	1,6 ...4	6,0	21,5	2 1/2"	0,023
D80	1,5 ...3	5,0	22,0	-	0,026
D88	1,5 ...4	6,0	21,5	3"	0,030
D90	1,5 ...5		21,0	-	0,035
D100	2 ...4,5		28,0	-	0,038

Form B: quadratisch / square

s	w	l ₁	l ₂	für Rohr / for tube	kg
V10	0,8 ...2,5	4,0	12,0	SM 1781	0,002
V12	1 ...2			SM 1781	0,002
V15	1 ...2	3,0	11,5	-	0,003
V16	1 ...2,5	5,0		SM 1781	0,004
V18	1,5 ...3			-	0,004
V20	1 ...3			SM 1781	0,005
V22	1 ...3,5		12,0	-	0,006
V25	1 ...3		11,5	SM 1781	0,006
V30	1 ...3			SM 1781	0,006
V34	1 ...3		14,5	-	0,007
V35	1 ...3		11,5	SM 1781	0,008
V40	1 ...3		14,5	SM 1781	0,009
V45	1 ...3			SM 1781	0,010
V50	2,6 ...4	5,5	24,0	SM 1781	0,014
V55	2 ...4,5	5,0	14,5	-	0,018
V60	1,5 ...3,5		15,0	-	0,023
V70	2 ...5		22,0	-	0,030
V80	1,5 ...4	6,0	21,0	-	0,035
V90	3 ...5		21,0	-	0,040
V100	1 ...4	7,0	21,0	-	0,060

